

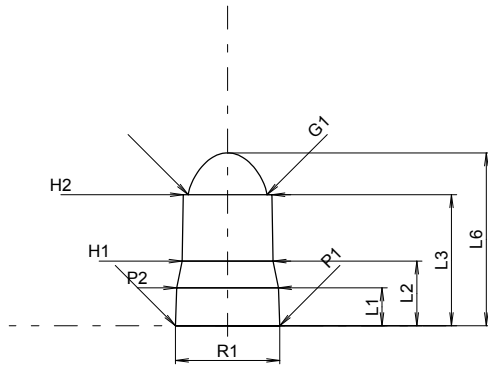
C.I.P.**4mm M 20**

TAB. X

Datum 07-05-14

Ursprungsland: DE

Revision

**PATRONE MAXI****Längen**

L1	=	2.08
L2	=	3.55
L3	=	7.20
L4	=	
L5	=	
L6	=	9.50

Hülsenboden

R	=	
R1	=	5.73
R3	=	
E	=	
E1	=	
e min	=	
δ	=	
f	=	
β	=	

Pulverkammer

P1	=	5.73
P2	=	5.60

Schulterkonus

α	=	
S	=	
r1 min	=	
r2	=	

Hülsenhals

H1	=	5.00
H2	=	4.87

Geschoss

G1	=	4.33
G2	=	
F	=	
L3+G	=	

Drücke (Energien)**Energie**

E _{max}	=	7.5 Joule
E _K	=	8.0 Joule
E _E	=	8.3 Joule

Verschiedene Daten

Fe	=	
delta L	=	

PATRONENLAGER MINI**Längen**

L1	=	2.03
L2	=	3.50
L3	=	7.40

Stoßboden

R	=	
R1	=	5.73
R2	=	
R3	=	
r	=	

Pulverkammer

E	=	
P1	=	5.73
P2	=	5.60

Schulterkonus

α	=	23°
S	=	
r1 max	=	
r2	=	

Hülsenhals

H1	=	5.00
H2	=	4.90

Geschossübergang

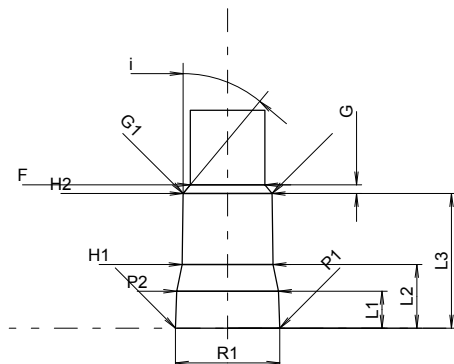
G1	=	4.90
G	=	0.48
α1	=	
h	=	
s	=	
i	=	40°
w	=	

Lauf

F	=	4.10
Z	=	4.28

Züge

b	=	
N	=	
u	=	
Q	=	mm ²



Maßstab 2.41:1

Maße in << mm >>
Maße und Toleranzen für Messläufe
siehe Anhang .

Bemerkungen: