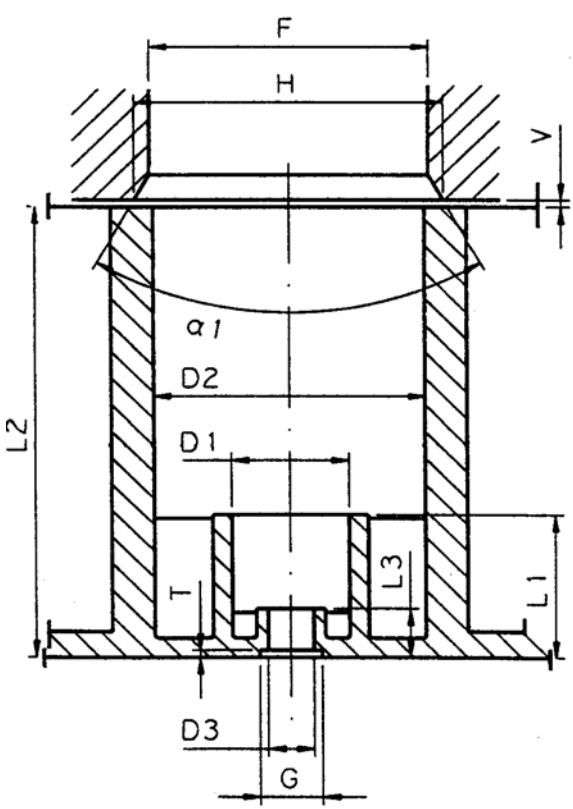


C.I.P.	MR 35 Punch Kal. 15-35 Ursprungsland : FR	TAB.	X																																																			
		Datum	96-02-21																																																			
		Revision	98-06-09																																																			
		<p>PATRONE MAXIMUM</p> <p>Munition auswerfbar:</p> <p>wird beim Hersteller wiedergeladen und verwendet daher keine Hülse.</p>																																																				
 <p>Maßstab 1 : 1</p>		<p>PATRONENLAGER MINIMUM</p> <table border="1"> <thead> <tr> <th>Dimens.</th> <th>Wert</th> <th>Toler.</th> </tr> </thead> <tbody> <tr> <td>D1¹⁾</td> <td>= 15.00</td> <td></td> </tr> <tr> <td>L1¹⁾</td> <td>= 19.00</td> <td></td> </tr> <tr> <td>G¹⁾</td> <td>= 8.00</td> <td></td> </tr> <tr> <td>T</td> <td>= 0.95</td> <td>+0.10</td> </tr> <tr> <td>D3</td> <td>= 5.85</td> <td>+0.10</td> </tr> <tr> <td>L3</td> <td>= 6.50</td> <td></td> </tr> <tr> <td>D2 mini¹⁾</td> <td>= 35.00</td> <td></td> </tr> <tr> <td>L2¹⁾</td> <td>= 60.05</td> <td>- 0.30</td> </tr> <tr> <td>V¹⁾</td> <td>= 0.95</td> <td>- 0.70</td> </tr> <tr> <td>H¹⁾</td> <td>=</td> <td></td> </tr> <tr> <td>F mini¹⁾</td> <td>= 36.00</td> <td></td> </tr> <tr> <td>alpha¹⁾</td> <td>= 60°</td> <td></td> </tr> </tbody> </table> <table border="1"> <thead> <tr> <th colspan="3">Energie</th> </tr> <tr> <th>E_{max}</th> <th>E_K</th> <th>E_E</th> </tr> <tr> <th colspan="3">Joule</th> </tr> </thead> <tbody> <tr> <td>115</td> <td>125</td> <td>130</td> </tr> </tbody> </table>		Dimens.	Wert	Toler.	D1 ¹⁾	= 15.00		L1 ¹⁾	= 19.00		G ¹⁾	= 8.00		T	= 0.95	+0.10	D3	= 5.85	+0.10	L3	= 6.50		D2 mini ¹⁾	= 35.00		L2 ¹⁾	= 60.05	- 0.30	V ¹⁾	= 0.95	- 0.70	H ¹⁾	=		F mini ¹⁾	= 36.00		alpha ¹⁾	= 60°		Energie			E _{max}	E _K	E _E	Joule			115	125	130
Dimens.	Wert	Toler.																																																				
D1 ¹⁾	= 15.00																																																					
L1 ¹⁾	= 19.00																																																					
G ¹⁾	= 8.00																																																					
T	= 0.95	+0.10																																																				
D3	= 5.85	+0.10																																																				
L3	= 6.50																																																					
D2 mini ¹⁾	= 35.00																																																					
L2 ¹⁾	= 60.05	- 0.30																																																				
V ¹⁾	= 0.95	- 0.70																																																				
H ¹⁾	=																																																					
F mini ¹⁾	= 36.00																																																					
alpha ¹⁾	= 60°																																																					
Energie																																																						
E _{max}	E _K	E _E																																																				
Joule																																																						
115	125	130																																																				
<p>Dimensionen in « mm » Dimensionen und Toleranzen für Messläufe:</p>		<p>Bemerkung: 1) Kontrolle aus Sicherheitsgründen</p>																																																				