

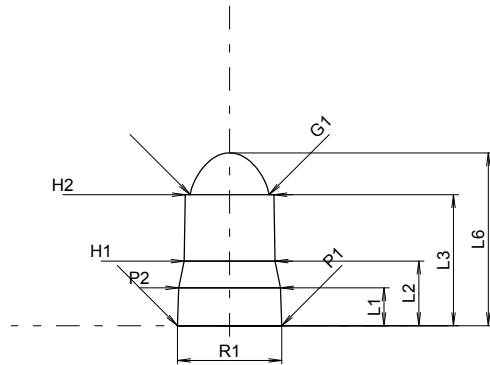
C.I.P.**4mm M 20**

TAB. X

Date 07-05-14

Country of Origin: DE

Revision

**CARTRIDGE MAXI****Lengths**

| | | |
|----|---|------|
| L1 | = | 2.08 |
| L2 | = | 3.55 |
| L3 | = | 7.20 |
| L4 | = | |
| L5 | = | |
| L6 | = | 9.50 |

Case Head

| | | |
|-------|---|------|
| R | = | |
| R1 | = | 5.73 |
| R3 | = | |
| E | = | |
| E1 | = | |
| e min | = | |
| δ | = | |
| f | = | |
| β | = | |

Powder Chamber

| | | |
|----|---|------|
| P1 | = | 5.73 |
| P2 | = | 5.60 |

Junction Cone

| | | |
|--------|---|--|
| α | = | |
| S | = | |
| r1 min | = | |
| r2 | = | |

Collar

| | | |
|----|---|------|
| H1 | = | 5.00 |
| H2 | = | 4.87 |

Projectile

| | | |
|------|---|------|
| G1 | = | 4.33 |
| G2 | = | |
| F | = | |
| L3+G | = | |

Pressures (Energies)**Energy**

| | | |
|------------------|---|-----------|
| E _{max} | = | 7.5 Joule |
| E _K | = | 8.0 Joule |
| E _E | = | 8.3 Joule |

Miscellaneous Dimensions

| | | |
|---------|---|--|
| Fe | = | |
| delta L | = | |

CHAMBER MINI**Lengths**

| | | |
|----|---|------|
| L1 | = | 2.03 |
| L2 | = | 3.50 |
| L3 | = | 7.40 |

Breech

| | | |
|----|---|------|
| R | = | |
| R1 | = | 5.73 |
| R2 | = | |
| R3 | = | |
| r | = | |

Powder Chamber

| | | |
|----|---|------|
| E | = | |
| P1 | = | 5.73 |
| P2 | = | 5.60 |

Junction Cone

| | | |
|--------|---|-----|
| α | = | 23° |
| S | = | |
| r1 max | = | |
| r2 | = | |

Collar

| | | |
|----|---|------|
| H1 | = | 5.00 |
| H2 | = | 4.90 |

Commencement of Rifling

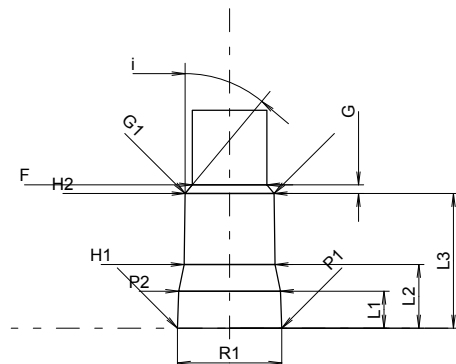
| | | |
|----------------|---|------|
| G1 | = | 4.90 |
| G | = | 0.48 |
| α ₁ | = | |
| h | = | |
| s | = | |
| i | = | 40° |
| w | = | |

Barrel

| | | |
|---|---|------|
| F | = | 4.10 |
| Z | = | 4.28 |

Grooves

| | | |
|---|---|-----------------|
| b | = | |
| N | = | |
| u | = | |
| Q | = | mm ² |



Scale 2.41:1

Dimensions in << mm >>
 Dimensions and Tolerances for Proof Barrels
 see Appendix .

Notes: