

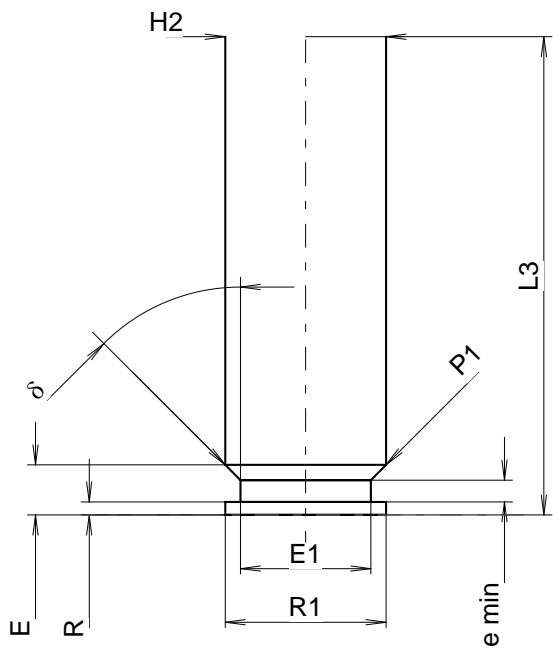
C.I.P.**18,5 x 55**

TAB. X

Date 09-05-05

Country of Origin: RU

Revision

**CARTRIDGE MAXI****Lengths**

L1	=	
L2	=	
L3 1)	=	55.00
L4	=	
L5	=	
L6	=	

Case Head

R	=	1.50
R1	=	18.50
R3	=	
E	=	5.75
E1	=	15.00
e min	=	2.50
delta	=	45°
f	=	
beta	=	

Powder Chamber

P1 1)	=	18.50
P2	=	

Junction Cone

alpha	=	
S	=	
r1 min	=	
r2	=	

Collar

H1	=	
H2 1)	=	18.50

Projectile

G1	=	
G2	=	
F	=	
L3+G	=	

Pressures (Energies)**Energy**

E _{max}	=	93.0 Joule
E _K	=	100.0 Joule
E _E	=	102.0 Joule

Miscellaneous Dimensions

Fe	=	
delta L	=	

CHAMBER MINI**Lengths**

L1	=	
L2	=	
L3 2)	=	55.00 +0.46

Breech

R	=	
R1	=	18.50
R2	=	
R3	=	
r	=	

Powder Chamber

E	=	
P1	=	18.50
P2	=	

Junction Cone

alpha	=	
S	=	
r1 max	=	
r2	=	

Collar

H1	=	
H2 2)	=	18.50 +0.21

Commencement of Rifling

G1	=	
G	=	
alpha 1	=	
h	=	
s	=	
i	=	
w	=	
Barrel		
F	=	
Z	=	
Grooves		
b	=	
N	=	
u	=	
Q	=	mm ²

Scale 1.15:1

Dimensions in << mm >>
Dimensions and Tolerances for Proof Barrels
see Appendix .

Notes: 1) Check for safety reasons
2) Valid only for Proof barrels