

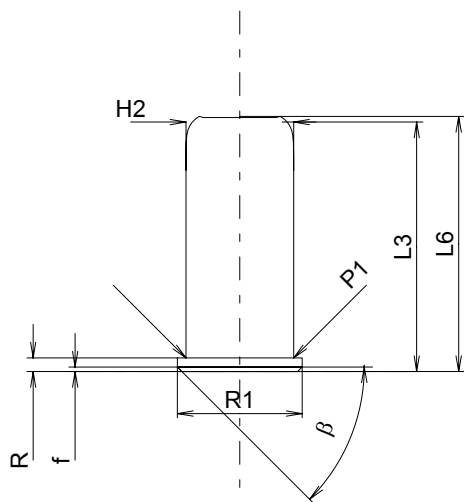
C.I.P.**380 ME Gum**

TAB. X

Date 99-08-04

Country of Origin: IT

Revision 02-05-15

**CARTRIDGE MAXI****CHAMBER MINI****Lengths**

L1	=	
L2	=	22.00
L3	=	22.00
L4	=	
L5	=	
L6	=	22.50

Lengths

L1	=	
L2	=	
L3 ¹⁾	=	23.00

Case Head

R ¹⁾	=	1.20	-0.10
R1	=	11.00	
R3	=		
E	=		
E1	=		
e min	=		
δ	=		
f	=	0.40	
β	=	45°	

Breech

R ¹⁾	=	1.30
R1	=	11.10
R2	=	
R3	=	
r	=	

Powder Chamber

P1	=	9.50
P2	=	

Powder Chamber

E	=	
P1 ¹⁾	=	9.55
P2	=	

Junction Cone

α	=	
S	=	
r1 min	=	
r2	=	

Junction Cone

α	=	
S	=	
r1 max	=	
r2	=	

Collar

H1	=	
H2 ¹⁾	=	9.50

Collar

H1	=	
H2 ¹⁾	=	9.55

Projectile

G1	=	
G2	=	
F	=	
L3+G	=	

Commencement of Rifling

G1 ^{1)*}	=	7.51
G	=	
$\alpha 1$	=	90°
h*	=	1.02
s	=	
i	=	
w	=	

Pressures (Energies)**Method Transducer**

Pmax	=	300 bar
PK	=	345 bar
PE	=	390 bar
M	=	10.50

Barrel

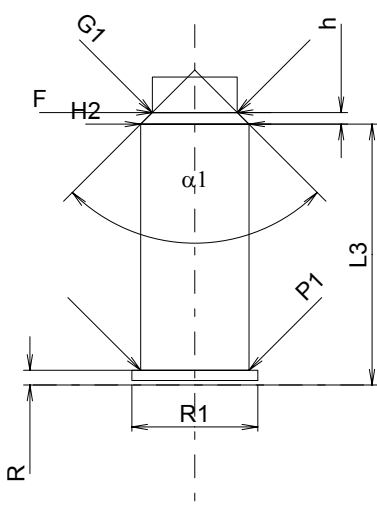
F ^{1)*}	=	7.50
Z	=	

Grooves

b	=	
N	=	
u	=	
Q	=	44.18 mm ²

Other Indications

Fe	=	
delta L	=	



Scale 1.5:1

Dimensions in << mm >>
Dimensions and Tolerances for Proof Barrels
see Appendix CR 1.

Notes: 1) Check for safety reasons
* Basic dimensions