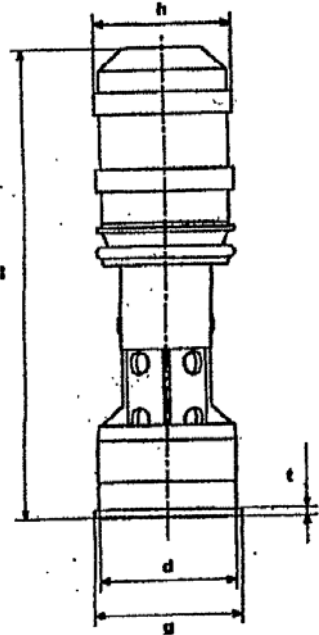
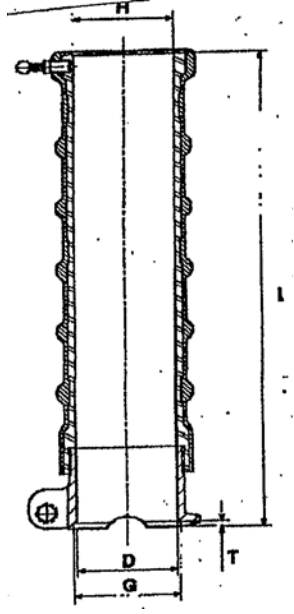


C.I.P.	56 Cougar Country of Origin : FR	TAB.	X																	
		Date	07-05-14																	
		Revision																		
	CARTRIDGE MAXIMALE																			
	<table border="1"> <thead> <tr> <th>Dimension</th> <th>Value</th> <th>Tolerance</th> </tr> </thead> <tbody> <tr> <td>g</td> <td>60</td> <td>-0,1</td> </tr> <tr> <td>d*</td> <td>56,3</td> <td>-0,3</td> </tr> <tr> <td>t*</td> <td>3,5</td> <td>-0,1</td> </tr> <tr> <td>l</td> <td>210,5</td> <td>-1,0</td> </tr> <tr> <td>h</td> <td>55,5</td> <td>-1,0</td> </tr> </tbody> </table>	Dimension	Value	Tolerance	g	60	-0,1	d*	56,3	-0,3	t*	3,5	-0,1	l	210,5	-1,0	h	55,5	-1,0	
Dimension	Value	Tolerance																		
g	60	-0,1																		
d*	56,3	-0,3																		
t*	3,5	-0,1																		
l	210,5	-1,0																		
h	55,5	-1,0																		
	CHAMBER MINIMALE																			
	<table border="1"> <thead> <tr> <th>Dimension</th> <th>Value</th> <th>Tolerance</th> </tr> </thead> <tbody> <tr> <td>G*</td> <td>60</td> <td>+0,2</td> </tr> <tr> <td>D*</td> <td>56,8</td> <td>+0,1</td> </tr> <tr> <td>T*</td> <td>3,6</td> <td>+0,05</td> </tr> <tr> <td>L*</td> <td>291</td> <td>+2,0</td> </tr> <tr> <td>H*</td> <td>56,7</td> <td>+0,1</td> </tr> </tbody> </table>	Dimension	Value	Tolerance	G*	60	+0,2	D*	56,8	+0,1	T*	3,6	+0,05	L*	291	+2,0	H*	56,7	+0,1	
Dimension	Value	Tolerance																		
G*	60	+0,2																		
D*	56,8	+0,1																		
T*	3,6	+0,05																		
L*	291	+2,0																		
H*	56,7	+0,1																		
		Energie (Joules) <table border="1"> <thead> <tr> <th>E nominale</th> <th>E max (+10%)</th> </tr> </thead> <tbody> <tr> <td>475</td> <td>500</td> </tr> </tbody> </table>		E nominale	E max (+10%)	475	500													
E nominale	E max (+10%)																			
475	500																			
		Headspace Fe = 0,15 max (manomètre à bascule automatique)																		
Dimensions in « mm » Dimensions and tolerances for Proof Barrels : <div style="border: 1px solid blue; display: inline-block; padding: 2px;">Annexe CR4</div>		Notes : 1) Check for safety reasons																		