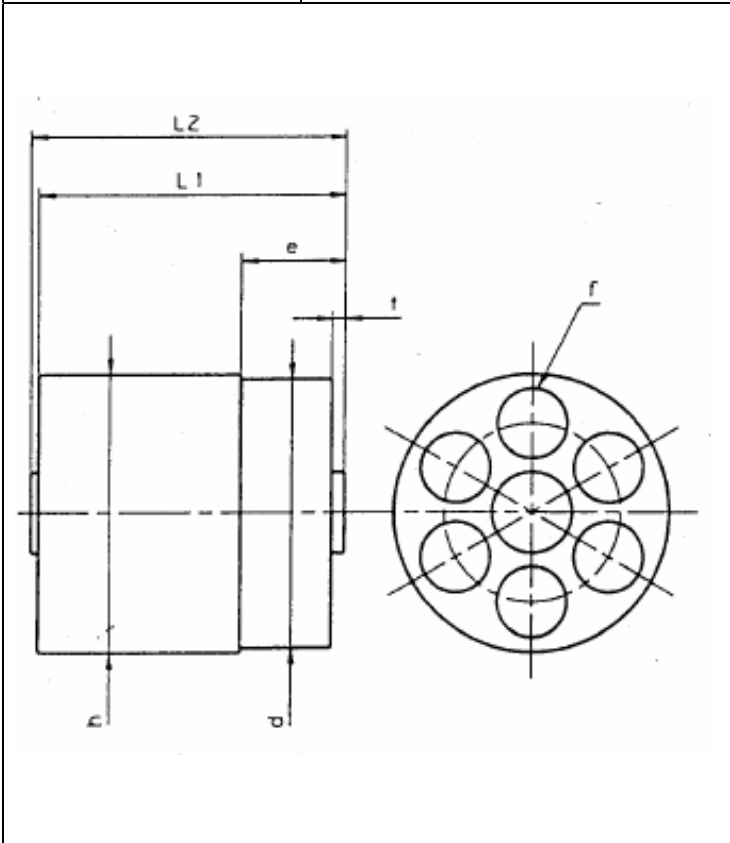


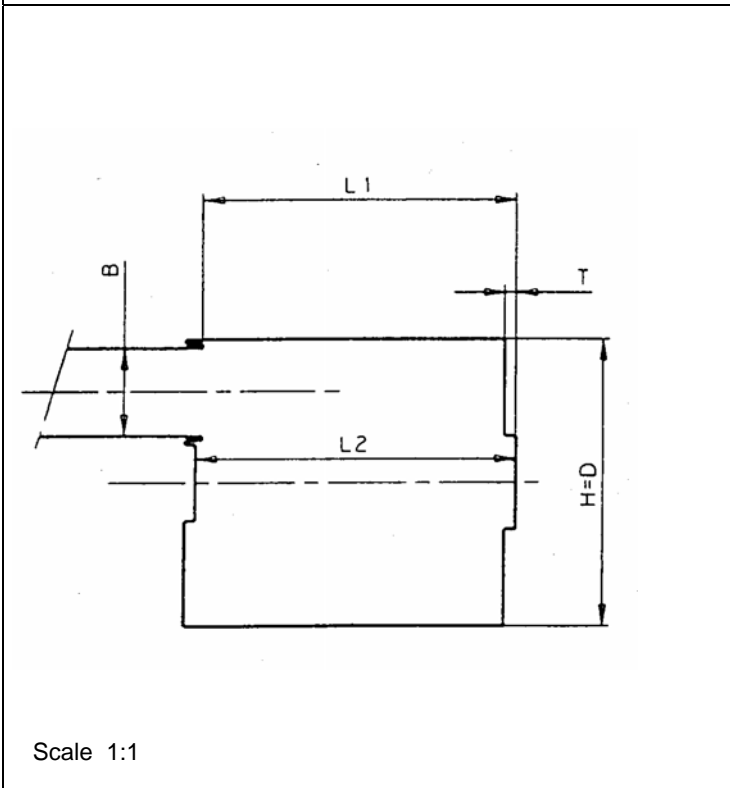
<b>C.I.P.</b>	<b>11,6 SAFEGOM</b> Country of Origin: FR	<b>TAB.</b>	<b>X</b>
		<b>Date</b>	<b>96-03-19</b>
		<b>Revision</b>	<b>99-04-20</b>



**CARTRIDGE MAXIMALE**

Dimens. Value Toler.

t	=	1.80	- 0.10
e	=	14.20	- 0.20
d	=	36.50	- 0.10
h	=	37.80	- 0.05
l1	=	41.55	- 0.20
l2	=	42.55	- 0.10
f	=	9.55	- 0.05
number of cells			6



**CHAMBER MINIMALE**

Dimens. Value Toler.

T	=	1.50	+ 0.05
D	=	38.20	+ 0.10
L1	=	41.70	+ 0.10
L2	=	42.60	+ 0.05
B	=	11.60	+ 0.03

Energy		
Emax	EK	EE
Joule		
35	40	45

Scale 1:1

Dimensions in « mm »  
Dimensions and tolerances for Proof Barrels:

Notes :