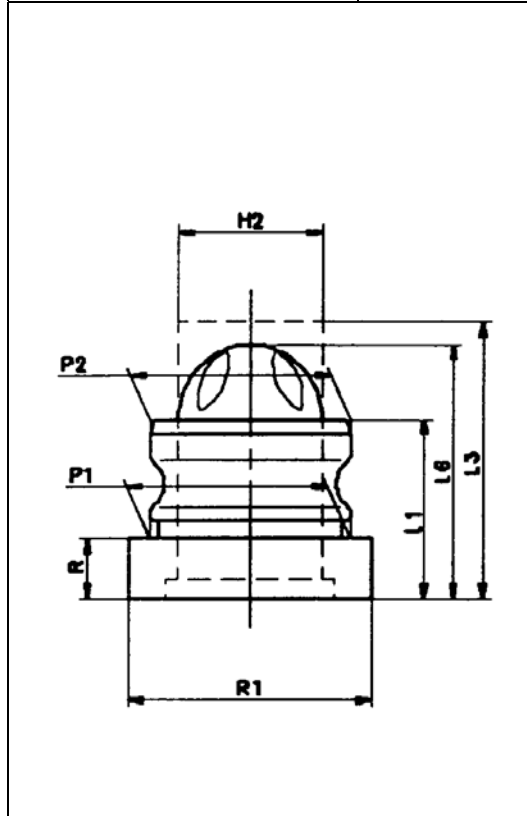
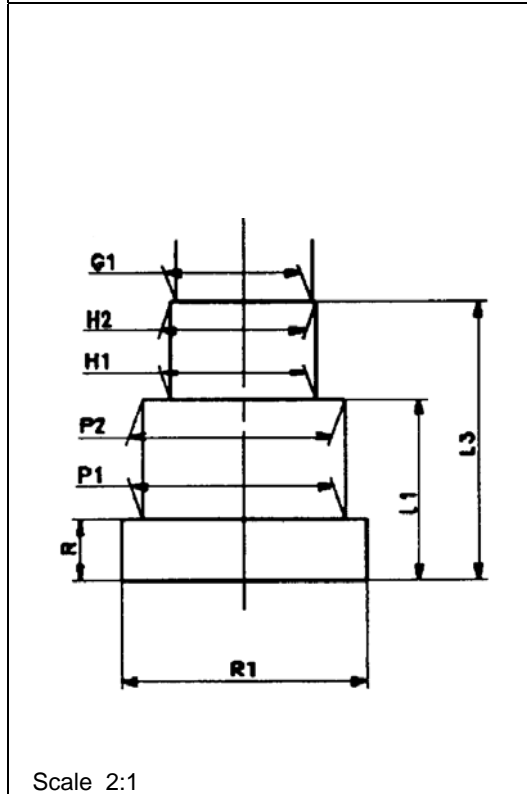


C.I.P.	14 mm Piexon Country of Origin: DE	TAB.	X
		Date	02-05-02
		Revision	04-09-27



CARTRIDGE MAXI		
Lengths		
L1*	=	11.70
L2	=	
L3 ¹⁾	=	18.30
L4	=	
L5	=	
L6	=	16.50
Case Head		
R	=	4.05
R1	=	16.25
R3	=	
E	=	
E1	=	
e min	=	
δ	=	
f	=	
β	=	
Powder Chamber		
P1*	=	13.41
P2*	=	13.41
Junction cone		
α	=	
S	=	
r1 min	=	
r2	=	
Collar		
H1*	=	
H2 ¹⁾	=	9.58
Projectile		
G1	=	
G2	=	
G3	=	
Energies		
E _{max}	=	190 Joule
E _K	=	203 Joule
E _E	=	209 Joule

CHAMBER MINI		
Lengths		
L1*	=	11.80
L2	=	
L3 ¹⁾	=	18.50
Breech		
R	=	4.05
R1	=	16.35
R2	=	
R3	=	
r	=	
Powder Chamber		
E	=	
P1 ¹⁾ *	=	13.43
P2*	=	13.43
Junction cone		
α	=	
S	=	
r1 max	=	
r2	=	
Collar		
H1*	=	9.60
H2 ¹⁾	=	9.60
Commencement of Rifling		
G1 ¹⁾ *	=	9.00
G	=	
α1	=	
h	=	
s	=	
i	=	
w	=	
Barrel		
F ¹⁾ *	=	9.00
Z	=	



Projectile		
G1	=	
G2	=	
G3	=	
Energies		
E _{max}	=	190 Joule
E _K	=	203 Joule
E _E	=	209 Joule

Commencement of Rifling		
G1 ¹⁾ *	=	9.00
G	=	
α1	=	
h	=	
s	=	
i	=	
w	=	
Barrel		
F ¹⁾ *	=	9.00
Z	=	

Scale 2:1

Dimensions in « mm » Dimensions et tolerances for Proof Barrels: See Appendix CR 1.	Note: 1 Check for safety reasons * Basic dimensions
---	--