

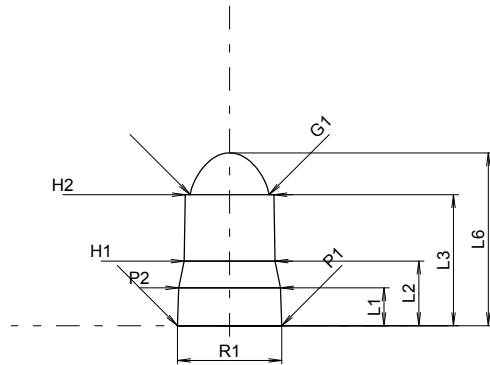
**C.I.P.****4mm M 20**

TAB. X

Date 07-05-14

Pays d'origine: DE

Révision

**CARTOUCHE MAXI****Longueurs**

L1	=	2.08
L2	=	3.55
L3	=	7.20
L4	=	
L5	=	
L6	=	9.50

**Culot**

R	=	
R1	=	5.73
R3	=	
E	=	
E1	=	
e min	=	
δ	=	
f	=	
β	=	

**Chambre à poudre**

P1	=	5.73
P2	=	5.60

**Cône de raccordement**

α	=	
S	=	
r1 min	=	
r2	=	

**Collet**

H1	=	5.00
H2	=	4.87

**Projectile**

G1	=	4.33
G2	=	
F	=	
L3+G	=	

**Pressions (Énergies)****Énergie**

E <sub>max</sub>	=	7.5 Joule
E <sub>K</sub>	=	8.0 Joule
E <sub>E</sub>	=	8.3 Joule

**Autres indications**

Fe	=	
delta L	=	

**CHAMBRE MINI****Longueurs**

L1	=	2.03
L2	=	3.50
L3	=	7.40

**Cuvette**

R	=	
R1	=	5.73
R2	=	
R3	=	
r	=	

**Chambre à poudre**

E	=	
P1	=	5.73
P2	=	5.60

**Cône de raccordement**

α	=	23°
S	=	
r1 max	=	
r2	=	

**Collet**

H1	=	5.00
H2	=	4.90

**Prise de rayures**

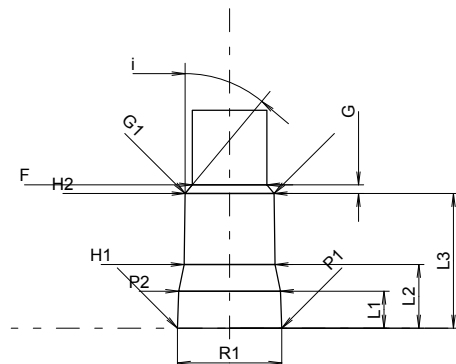
G1	=	4.90
G	=	0.48
α <sub>1</sub>	=	
h	=	
s	=	
i	=	40°
w	=	

**Canon**

F	=	4.10
Z	=	4.28

**Rayures**

b	=	
N	=	
u	=	
Q	=	mm <sup>2</sup>



Échelle 2.41:1

Dimensions en << mm >>  
Dimensions et tolérances pour les canons  
d'épreuve: Voyez Annexe .

Notes: